

Trojan Transducer On-Board Weighing System



FEATURES

- Up to 2% accuracy
- Gross/Net weight displayed with no driver interaction
- Axle group weight displayed with no driver interaction
- Quick and easy installation
- Self-diagnostic
- Easy two-step calibration

OPTIONS

- Printer
- Relay board
- Hand held remote

DESCRIPTION

The Trojan Transducer suspension-based scale is designed to provide gross vehicle weight, net payload weight and axle group weights. This information is used in avoiding overload fines, choosing disposal sites, and reducing truck maintenance.

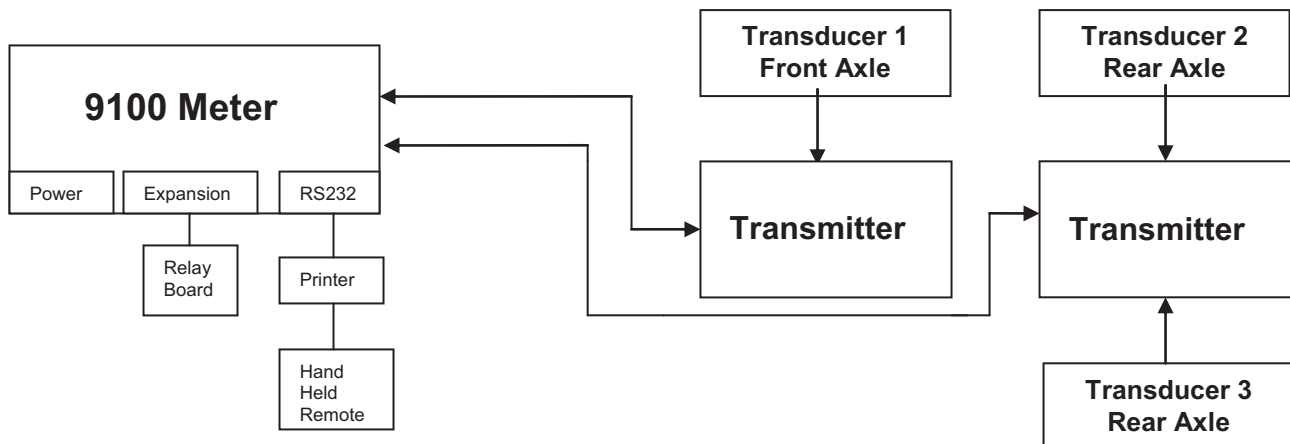
The Trojan Transducer system can be installed on all types of trucks, including roll offs and dump trucks. The system is available for dual rear axle configurations and can be used with pusher, tag or lift axle. Axle group weights are provided for both the front and rear axle groups. Rear only systems are also available.

By design, the Trojan Transducer system does not require disassembly of the vehicle chassis, suspension and/or body for installation. Depending on the vehicle and suspension type, the system normally requires the installation of one Trojan transducer on the front axle and one or two Trojans on the rear suspension members.

APPLICATIONS

- Aggregate
- Forestry/logging
- Waste
- Bulk hauling
- Roll offs
- Agriculture
- Dump truck
- Any straight truck

SYSTEM BLOCK DIAGRAM



* 3 point system shown

* Also available for drive axle or steer axle only

Trojan Transducer Suspension-Based Weighing System

SI Onboard



Trojan Transducer On-Board Weighing System

SPECIFICATIONS	
PARAMETERS	DESCRIPTION
Accuracy	Up to 2%
Capacity (GVW)	unlimited
Number of load cells	2, 3 or 4
Number of voltage to frequency converters (transmitters)/system	1 or 2
Number of Channels	1 or 2
METER	
Digit Size	.45"
Number of digits	6
Screen Type	LED
Size	6.5" L x 3.2" W x 1.9" D; 1.7 lbs
Divisions	50, 100 (pounds or KG)
Meter operating voltage	11.5 to 16 Vdc @ 400mA
Meter operating temperature	14 °F to 104 °F
Communications	RS232
Memory	232 customer entries
TRANSMITTERS	
Analog input	0.4 mV/V to 1.0 mV/V
Conversion	Voltage to Frequency, 66 kHz/mV
TRANSDUCERS	
Material	Alloy Steel, Nickel Plated
Weight	2 lbs; 0.9kg; with mounting hardware
Size	1" D x 1" W x 7" L
Output	1.6 to 1.75 mV/V @ 7.7 lbs (3.5 kg)
Impedance	350 Ω Minimum

Disclaimer

All product specifications and data are subject to change without notice.

Vishay Precision Group, Inc., its affiliates, agents, and employees, and all persons acting on its or their behalf (collectively, "Vishay Precision Group"), disclaim any and all liability for any errors, inaccuracies or incompleteness contained herein or in any other disclosure relating to any product.

Vishay Precision Group disclaims any and all liability arising out of the use or application of any product described herein or of any information provided herein to the maximum extent permitted by law. The product specifications do not expand or otherwise modify Vishay Precision Group's terms and conditions of purchase, including but not limited to the warranty expressed therein, which apply to these products.

No license, express or implied, by estoppel or otherwise, to any intellectual property rights is granted by this document or by any conduct of Vishay Precision Group.

The products shown herein are not designed for use in medical, life-saving, or life-sustaining applications unless otherwise expressly indicated. Customers using or selling Vishay Precision Group products not expressly indicated for use in such applications do so entirely at their own risk and agree to fully indemnify Vishay Precision Group for any damages arising or resulting from such use or sale. Please contact authorized Vishay Precision Group personnel to obtain written terms and conditions regarding products designed for such applications.

Product names and markings noted herein may be trademarks of their respective owners.